

Application Questionnaire

Cubic screw jack MJ and BJ series

Company:

Department: Contact:

Date: Tel.: Fax.:

Address:

Project:

Loads:

No. of screw jacks in system:

Axial load				
	Total system		Per spindle	
	dynamic [kN]	static [kN]	dynamic [kN]	static [kN]
Compressive load				
Tensile load				

Type of loading:

steady oscillating shock increasing vibrating

Stroke:

Stroke length [mm] Lifting speed [m/min]:

Application information:

Usage per day in hours	<input type="checkbox"/> 8	<input type="checkbox"/> 16	<input type="checkbox"/> 24	<input type="checkbox"/>																
Working cycle: actual in	<input type="checkbox"/> sec.	<input type="checkbox"/> min.																		
Lifting																				
Lowering																				
Idle																				
Total cycle time																				
ED per cycle in %																				
Cycles per working day																				

Example:

Usage per day in hours	<input type="checkbox"/> 8	<input type="checkbox"/> 16	<input type="checkbox"/> 24	<input type="checkbox"/>																
Working cycle: actual in	<input checked="" type="checkbox"/> sec.	<input type="checkbox"/> min.																		
Lifting	4																			4
Lowering			2		2															4
Idle		10		10			12													32
Total cycle time															40					
ED per cycle in %															20					
Cycles per working day															10					

Operational conditions:

Environmental temperature from °C to °C

dry humid dusty (define material): other effects:

Details about the planned location and attitude

Attitude: vertical horizontal inverted

Guidance: without guidance with guidance

Requirements:

Number of sets: Quantity per year:

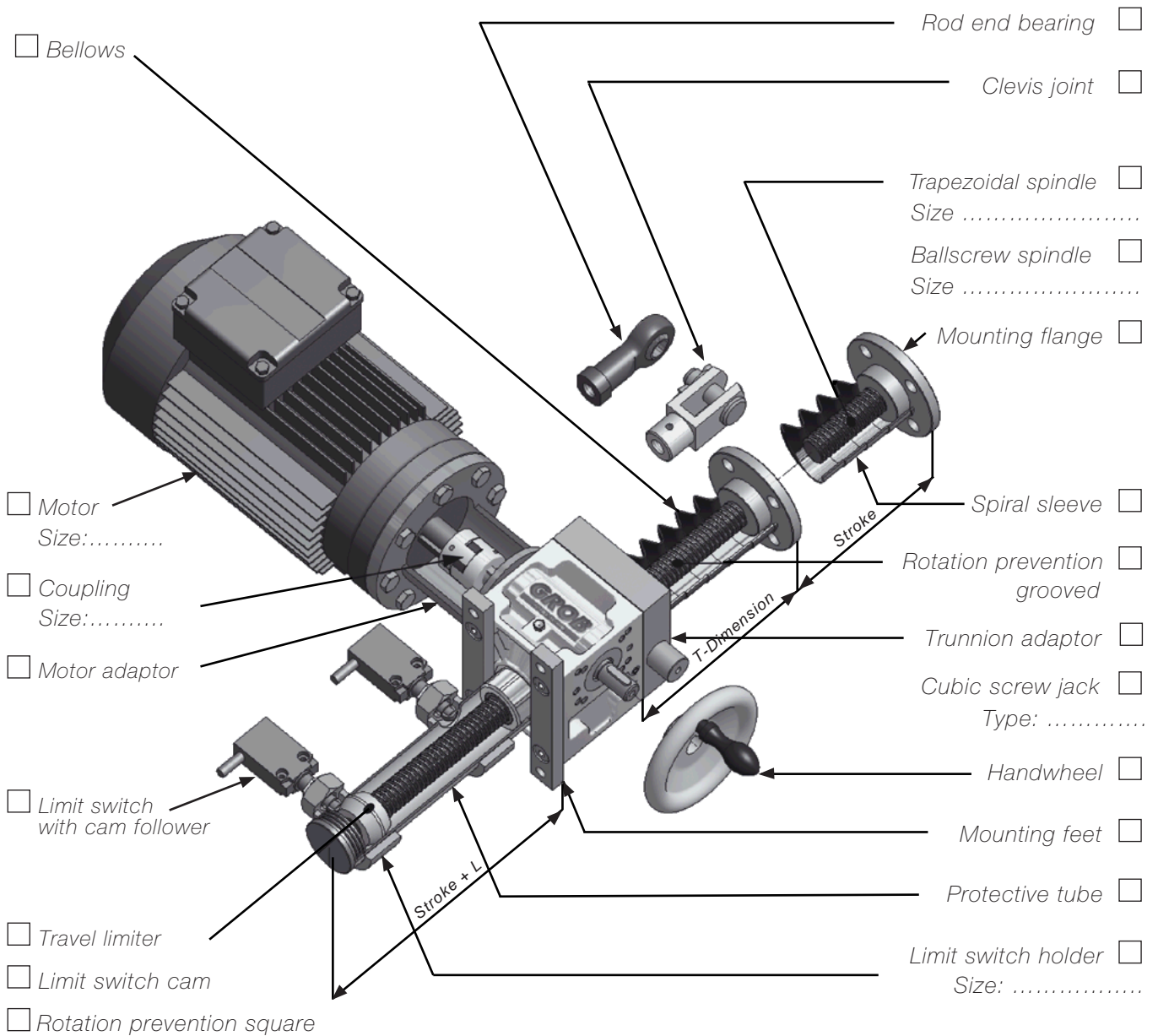
Required delivery:

Accessories: Please indicate the accessories required on the next page!

For the best design please provide a drawing!

Application Questionnaire

Accessories for Cubic screw jack MJ and BJ series - basic version G



Application Questionnaire

Accessories for Cubic screw jack MJ and BJ series - travelling nut version LM

Trapezoidal spindle
Size:

Ballscrew spindle
Size:

Travelling nut EFM

Spiral protection

Mounting feet

Motor
Size:

Coupling
Size:

Motor adaptor

Trunnion adaptor

Mounting flange

Long nut, bronze (LRM)

Short nut, steel (KSM)

Safety nut
V1 or V2

Trunnion adaptor

Nut bracket

Square nut (VKM)

Hexagonal nut (SKM)

Bellows

Handwheel
Size:

L - dimension