

SCREW JACK DATA SHEET

BJ4 TRANSLATING SCREW

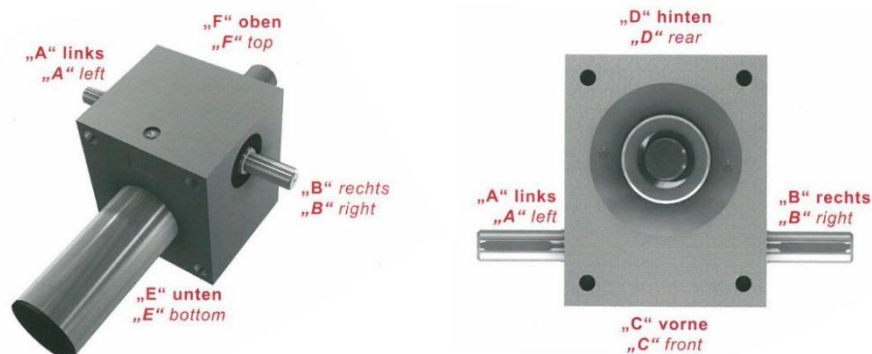
Specifications:

Ratio:	Normal 10:1	Low 40:1
Max lifting force:	350kN	350kN
Spindle:	TR100x10	TR100x10
Max power:	11.0kW	11.0kW
Stroke per input rev:	1mm	0.25mm
Travel speed with 4 pole motor (approx)	25mm/sec	6mm/sec
Total efficiency:	17.2%	13.1%
Idling torque:	1.65Nm	1.15Nm
Drive torque at max lifting force:	300Nm	130Nm
Max permissible torque at worm shaft:	410Nm	410Nm
Gear housing material:	Cast iron	Cast iron
Weight (less spindle & tube):	85kg	85kg
Weight of spindle per 100mm:	6.6kg	6.6kg
Amount of grease filling:	2.7kg	2.7kg
Lubrication:	Divinol Lithogrease 1500	Divinol Lithogrease 1500

Order code:

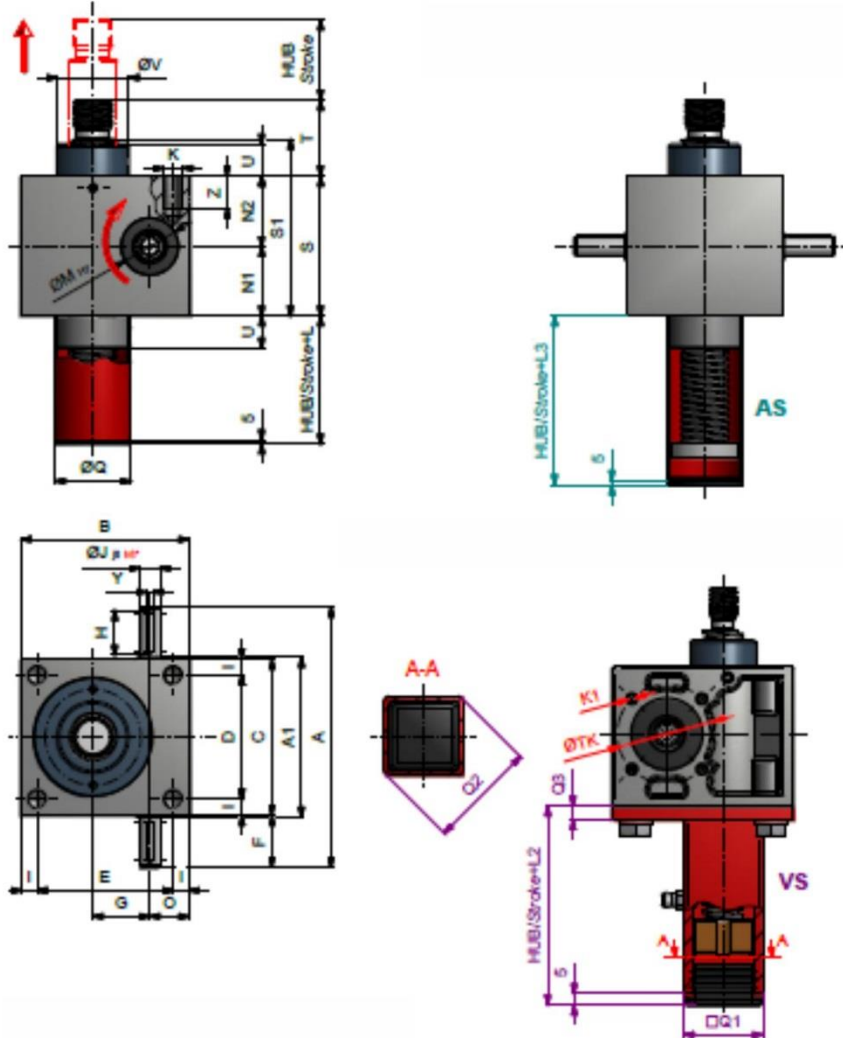
BJ4-	2	3	4	5	6	7	8
------	---	---	---	---	---	---	---

2:	Version:	GN = Normal ratio version GL = Low ratio version
3:	Installation position:	1F, 2F, 3F, 4F, 5F, 6F, 1E, 2E, 3E, 4E, 5E, 6E
4:	Spindle:	TR100x10 = trapezoidal KGT = ball screw – on request +VS = keyed rotation prevention
5:	Stroke:	0000mm
6:	Spindle end:	Z = journal; FP = mounting flange; GE = threaded; GK = male clevis; KGK = rod end bearing; GS = Female clevis
7:	Accessories:	A or B = mounting side of motor; AS = spindle travel limiter; BL = mounting feet; ES = limit switch; FB = folding bellows; KP = trunnion adaptor; MG = motor adaptor; RP = flexible coupling; SF = spiral sleeve; VS = rotation prevention via square tube; SFM = safety nut
8:	Special requirements:	As specified



Dimensions:

A:	380mm
A1:	254mm
B:	290mm
C:	250mm
D:	190mm
E:	230mm
F:	65mm
G:	100mm
H:	56mm
I:	30mm
J dia:	35mmj6
K:	M36
L:	65mm
M dia:	85mmH7
N1:	106mm
N2:	114mm
O:	65mm
Q dia:	150mm
S:	220mm
S1:	282mm
T:	140mm
U:	50mm
V:	145mm
Y:	10mm
Z:	54mm
With spindle travel limiter:	
L3:	124mm
With square tube:	
L2:	132mm
Q1 sq:	150mm
Q2:	213mm
Q3:	10mm
Motor adaptor mounting holes:	As required



Materials:

Component	Standard	Optional
Gear housing:	Cast iron GGG-50	Stainless steel V4A; zinc plated; painted
Worm shaft:	42CrMo4	Stainless steel V4A, V2A
Spindle:	C45 Steel 1.0503	Stainless steel V4A, V2A
Spindle protection tube:	C37 Steel 1.0122	Stainless steel V4A; zinc plated; painted
Bearing cover:	C45 Steel 1.0503	Stainless steel V4A; zinc plated; painted

V4A = 1.4571 V2A = 1.4305