

## SCREW JACK DATA SHEET

### BJ5 TRANSLATING SCREW

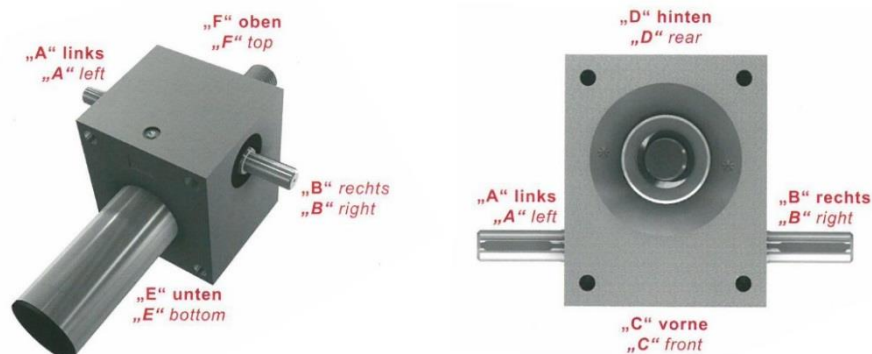
#### Specifications:

Ratio:	Normal 14:1	Low 56:1
Max lifting force:	500kN	500kN
Spindle:	TR120x14	TR120x14
Max power:	20.0kW	20.0kW
Stroke per input rev:	1mm	0.25mm
Travel speed with 4 pole motor (approx)	25mm/sec	6mm/sec
Total efficiency:	18.1%	13.6%
Idling torque:	1.97Nm	1.40Nm
Drive torque at max lifting force:	425Nm	150Nm
Max permissible torque at worm shaft:	1580Nm	1580Nm
Gear housing material:	Cast iron	Cast iron
Weight (less spindle & tube):	100kg	100kg
Weight of spindle per 100mm:	10.3kg	10.3kg
Amount of grease filling:	3.1kg	3.1kg
Lubrication:	Divinol Lithogrease 1500	Divinol Lithogrease 1500

#### Order code:

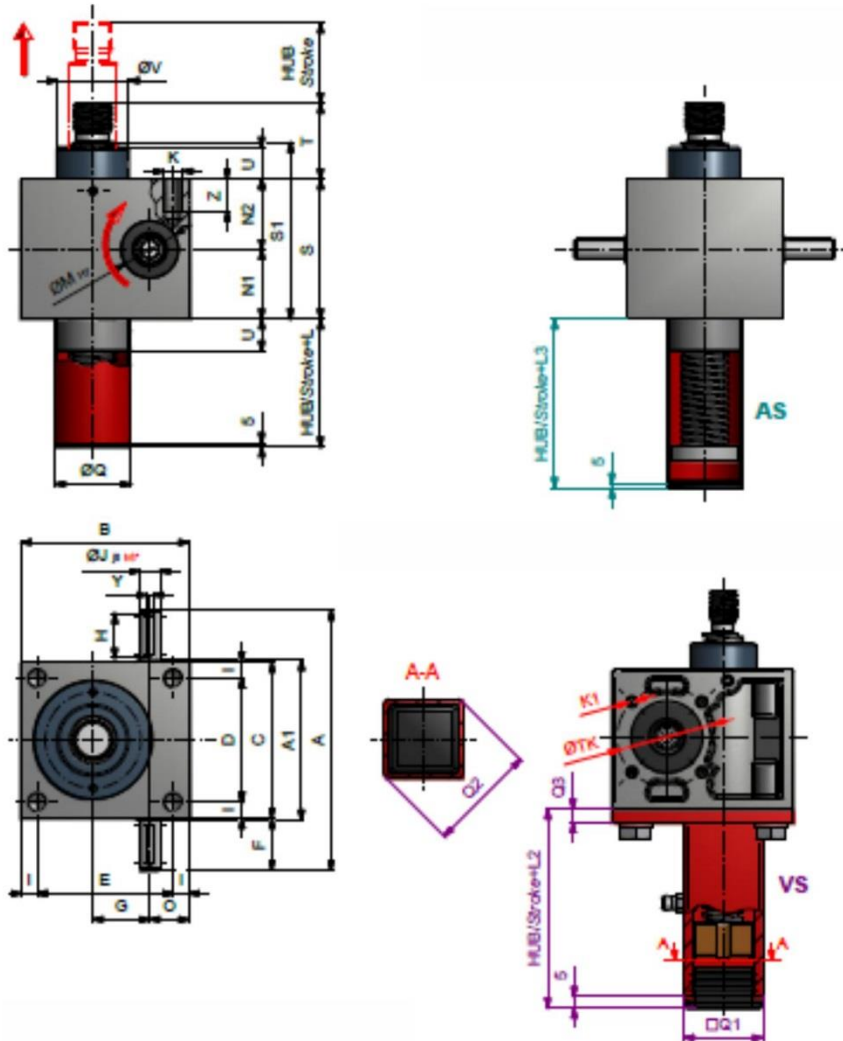
BJ5-	2	3	4	5	6	7	8
------	---	---	---	---	---	---	---

2:	Version:	GN = Normal ratio version GL = Low ratio version
3:	Installation position:	1F, 2F, 3F, 4F, 5F, 6F, 1E, 2E, 3E, 4E, 5E, 6E
4:	Spindle:	TR120x14 = trapezoidal KGT = ball screw – on request +VS = keyed rotation prevention
5:	Stroke:	0000mm
6:	Spindle end:	Z = journal; FP = mounting flange; GE = threaded; GK = male clevis; KGK = rod end bearing; GS = Female clevis
7:	Accessories:	A or B = mounting side of motor; AS = spindle travel limiter; BL = mounting feet; ES = limit switch; FB = folding bellows; KP = trunnion adaptor; MG = motor adaptor; RP = flexible coupling; SF = spiral sleeve; VS = rotation prevention via square tube; SFM = safety nut
8:	Special requirements:	As specified



**Dimensions:**

A:	500mm
A1:	305mm
B:	360mm
C:	300mm
D:	230mm
E:	290mm
F:	100mm
G:	135mm
H:	90mm
I:	35mm
J dia:	48mmj6
K:	M42
L:	85mm
M dia:	90mmH7
N1:	133mm
N2:	133mm
O:	75mm
Q dia:	180mm
S:	266mm
S1:	348mm
T:	200mm
U:	60mm
V:	170mm
Y:	14mm
Z:	80mm
With spindle travel limiter:	
L3:	152mm
With square tube:	
L2:	160mm
Q1 sq:	180mm
Q2:	255mm
Q3:	10mm
Motor adaptor mounting holes:	As required



**Materials:**

Component	Standard	Optional
Gear housing:	Cast iron GGG-50	Stainless steel V4A; zinc plated; painted
Worm shaft:	42CrMo4	Stainless steel V4A, V2A
Spindle:	C45 Steel 1.0503	Stainless steel V4A, V2A
Spindle protection tube:	C37 Steel 1.0122	Stainless steel V4A; zinc plated; painted
Bearing cover:	C45 Steel 1.0503	Stainless steel V4A; zinc plated; painted

V4A = 1.4571      V2A = 1.4305