

SCREW JACK DATA SHEET

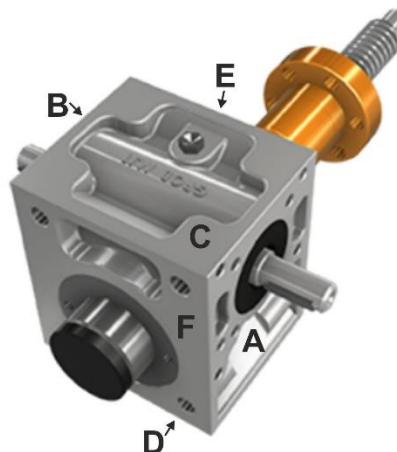
BJ5 ROTATING SCREW

Specifications:

Ratio:	Normal 14:1	Low 56:1
Max lifting force:	500kN	500kN
Spindle:	TR120x14	TR120x14
Max power:	20kW	20kW
Stroke per input rev:	1mm	0.25mm
Travel speed with 4 pole motor (approx)	25mm/sec	6mm/sec
Total efficiency:	18.1%	13.6%
Idling torque:	1.97Nm	1.40Nm
Drive torque at max lifting force:	425Nm	150Nm
Max permissible torque at worm shaft:	1580Nm	1580Nm
Gear housing material:	Cast iron	Cast iron
Weight (less spindle & tube):	100kg	100kg
Weight of spindle per 100mm:	10.3kg	10.3kg
Amount of grease filling:	3.1kg	3.1kg
Lubrication:	Divinol Lithogrease 1500	Divinol Lithogrease 1500

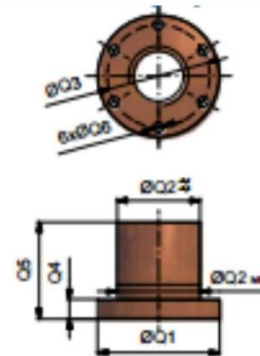
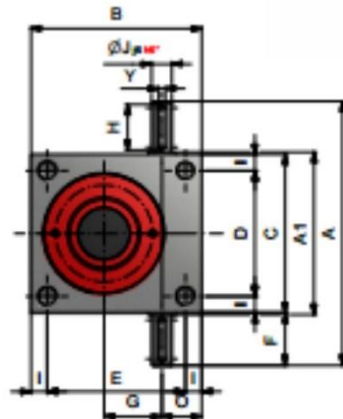
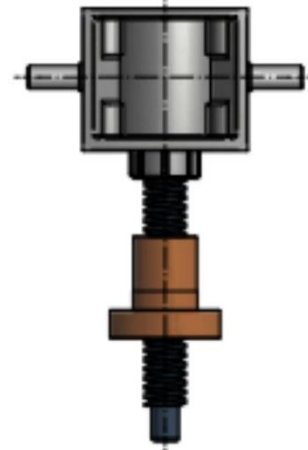
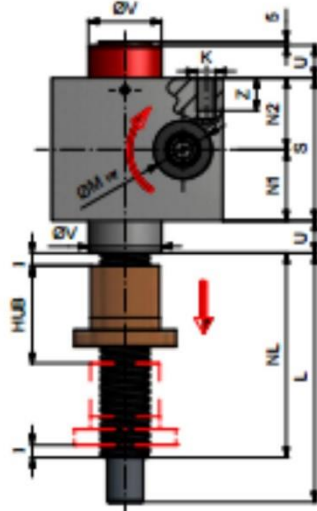
Order code:

BJ5-	2	3	4	5	6	7	8	9
2:	Version:	LMN = Normal ratio version LML = Low ratio version						
3:	Installation position:	1F, 2F, 3F, 4F, 5F, 6F, 1E, 2E, 3E, 4E, 5E, 6E						
4:	Spindle:	TR120x14 = trapezoidal KGT = ball screw – on request						
5:	Stroke:	0000mm						
6:	Travelling nut	EFM = standard; KGF = ball screw nut – on request						
7:	Spindle end:	Z = journal; FPL = mounting flange bearing						
8:	Accessories:	A or B = mounting side of motor; BL = mounting feet; FB = folding bellows (1FB = bellows one side of travelling nut; 2FB = bellows both sides of travelling nut); KP = trunnion adaptor; RP = flexible coupling; SFM = safety nut; gimbal mount						
9:	Special requirements:	As specified						



Dimensions:

A:	500mm
A1:	305mm
B:	360mm
C:	300mm
D:	230mm
E:	290mm
F:	100mm
G:	135mm
H:	90mm
I:	35mm
J dia:	48mmj6
K:	M42
M dia:	90mmH7
N1:	133mm
N2:	133mm
O:	75mm
S:	266mm
U:	60mm
V:	170mm
Y:	14mm
Z:	80mm
J:	30mm
Flanged travelling nut:	
Q1 dia:	300mm
Q2: dia	160mm
Q3 dia:	230mm
Q4:	40mm
Q5:	160mm
Q6 dia:	28mm
Motor adaptor mounting holes:	As required



Materials:

Component	Standard	Optional
Gear housing:	Cast iron GGG-50	Stainless steel V4A; zinc plated; painted
Worm shaft:	42CrMo4	Stainless steel V4A, V2A
Spindle:	C45 Steel 1.0503	Stainless steel V4A, V2A
Bearing cover:	C45 Steel 1.0503	Stainless steel V4A; zinc plated; painted

V4A = 1.4571 V2A = 1.4305