

SCREW JACK DATA SHEET

P 1of2 2015/11

MJO TRANSLATING SCREW

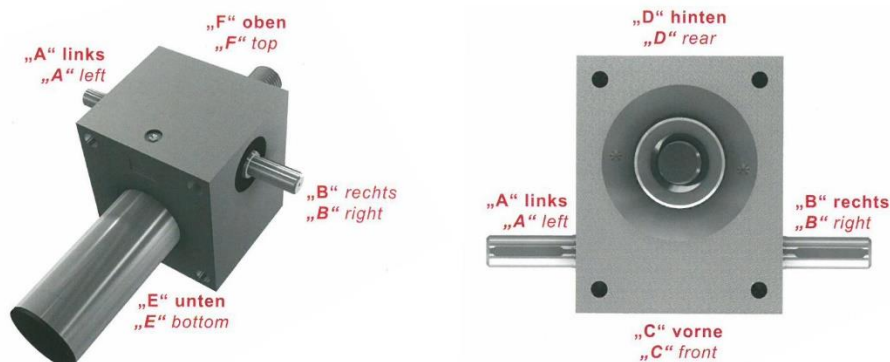
Specifications:

Ratio:	Normal 4:1	Low 20:1
Max lifting force:	2.5kN	2.5kN
Spindle:	TR16x4	TR16x4
Max power:	0.18kW	0.18kW
Stroke per input rev:	1mm	0.2mm
Travel speed with 4 pole motor (approx)	25mm/sec	5mm/sec
Total efficiency:	33.4%	18.7%
Idling torque:	0.03Nm	0.02Nm
Drive torque at max lifting force:	1.5Nm	0.7Nm
Max permissible torque at worm shaft:	10.7Nm	10.7Nm
Gear housing material:	Die cast aluminium	Die cast aluminium
Weight (less spindle & tube):	0.6kg	0.6kg
Weight of spindle per 100mm:	0.1kg	0.1kg
Amount of grease filling:	0.02kg	0.02kg
Lubrication:	Divinol Lithogrease 1500	Divinol Lithogrease 1500

Order code:

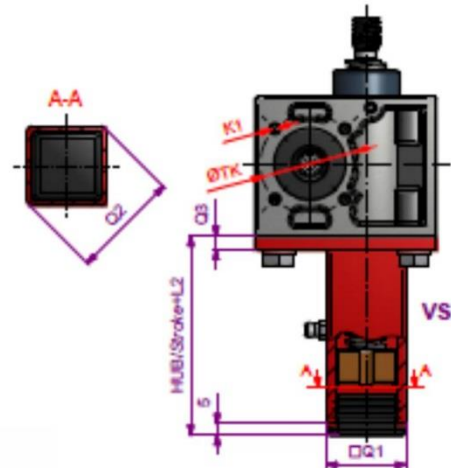
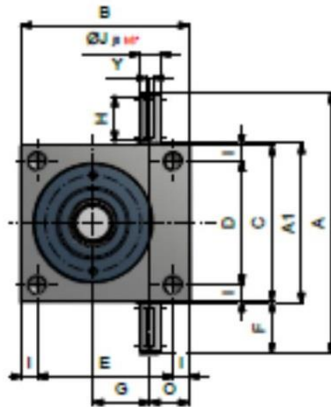
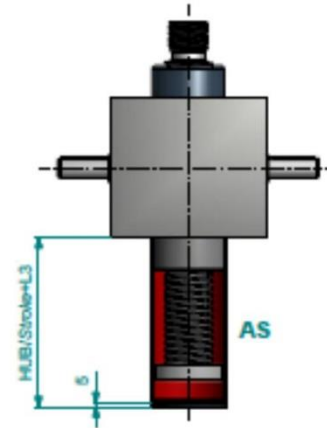
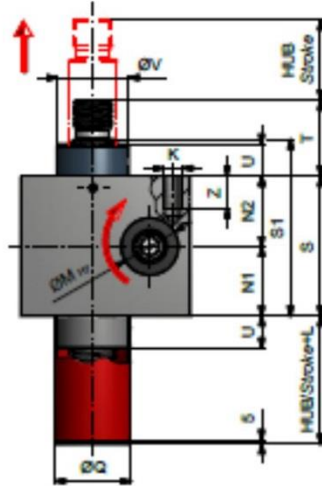
MJO-	2	3	4	5	6	7	8
------	---	---	---	---	---	---	---

2:	Version:	GN = Normal ratio version GL = Low ratio version
3:	Installation position:	1F, 2F, 3F, 4F, 5F, 6F, 1E, 2E, 3E, 4E, 5E, 6E
4:	Spindle:	TR16x4 = trapezoidal KGT = ball screw (16x5; 16x10) +VS = keyed rotation prevention
5:	Stroke:	0000mm
6:	Spindle end:	Z = journal; FP = mounting flange; GE = threaded; GK = male clevis; KGK = rod end bearing; GS = Female clevis
7:	Accessories:	A or B = mounting side of motor; AS = spindle travel limiter; BL = mounting foot; ES = limit switch; FB = folding bellows; HR = hand wheel; KP = trunnion adaptor; MG = motor adaptor; RP = flexible coupling; SF = spiral sleeve; VS = rotation prevention via square tube; SFM = safety nut
8:	Special requirements:	As specified



Dimensions:

A:	94mm
A1:	56mm
B:	64mm
C:	54mm
D:	38mm
E:	48mm
F:	20mm
G:	22.62mm
H:	16mm
I:	8mm
J dia:	9mmj6
K:	M6
L:	20mm
M dia:	26mmH7
N1:	25mm
N2:	25mm
O:	17.38mm
Q dia:	33.5mm
S:	50mm
S1:	65mm
T:	30mm
U:	12mm
V:	30mm
Y:	3mm
Z:	11mm
With spindle travel limiter:	
L3:	43mm
With square tube:	
L2:	52mm
Q1 sq:	35mm
Q2:	50mm
Q3:	6mm
Motor adaptor mounting holes:	
6 off K1:	M5
TK pcd:	35mm



Materials:

Component	Standard	Optional
Gear housing:	Die cast aluminium 3.2582	Stainless steel V4A; anodised; painted
Worm shaft:	Steel ETG100	Stainless steel V4A, V2A
Spindle:	C35 Steel 1.0501	Stainless steel V4A, V2A
Spindle protection tube:	C37 Steel 1.0122	Stainless steel V4A; zinc plated; painted
Bearing cover:	C45 Steel 1.0503	Stainless steel V4A; zinc plated; painted

V4A = 1.4571 V2A = 1.4305