

## SCREW JACK DATA SHEET

### MJ1 TRANSLATING SCREW

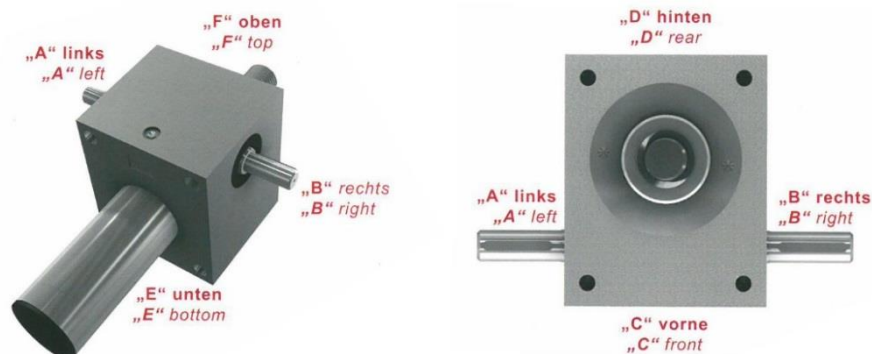
#### Specifications:

Ratio:	Normal 4:1	Low 16:1
Max lifting force:	5kN	5kN
Spindle:	TR18x4	TR18x4
Max power:	0.3kW	0.3kW
Stroke per input rev:	1mm	0.25mm
Travel speed with 4 pole motor (approx)	25mm/sec	6mm/sec
Total efficiency:	33.2%	28.1%
Idling torque:	0.05Nm	0.04Nm
Drive torque at max lifting force:	3.2Nm	1.4Nm
Max permissible torque at worm shaft:	13.7Nm	13.7Nm
Gear housing material:	Die cast aluminium	Die cast aluminium
Weight (less spindle & tube):	1.2kg	1.2kg
Weight of spindle per 100mm:	0.35kg	0.35kg
Amount of grease filling:	0.04kg	0.04kg
Lubrication:	Divinol Lithogrease 1500	Divinol Lithogrease 1500

#### Order code:

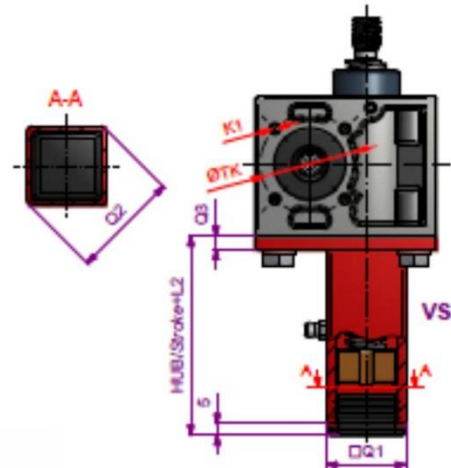
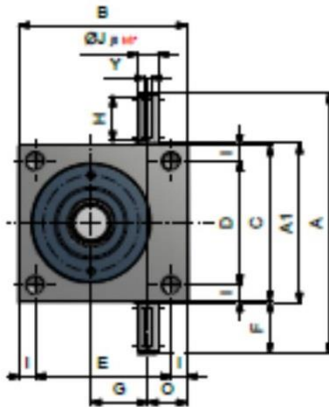
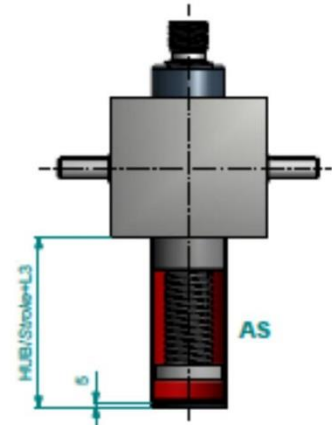
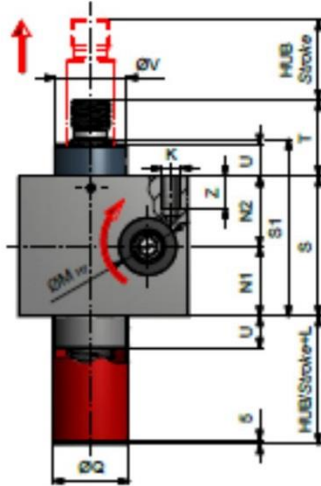
MJ1-	2	3	4	5	6	7	8
------	---	---	---	---	---	---	---

2:	Version:	GN = Normal ratio version GL = Low ratio version
3:	Installation position:	1F, 2F, 3F, 4F, 5F, 6F, 1E, 2E, 3E, 4E, 5E, 6E
4:	Spindle:	TR18x4 = trapezoidal KGT = ball screw (16x5; 16x10) +VS = keyed rotation prevention
5:	Stroke:	0000mm
6:	Spindle end:	Z = journal; FP = mounting flange; GE = threaded; GK = male clevis; KGK = rod end bearing; GS = Female clevis
7:	Accessories:	A or B = mounting side of motor; AS = spindle travel limiter; BL = mounting feet; ES = limit switch; FB = folding bellows; HR = hand wheel; KP = trunnion adaptor; MG = motor adaptor; RP = flexible coupling; SF = spiral sleeve; VS = rotation prevention via square tube; SFM = safety nut
8:	Special requirements:	As specified



**Dimensions:**

A:	120mm
A1:	75mm
B:	80mm
C:	72mm
D:	52mm
E:	60mm
F:	24mm
G:	25mm
H:	18mm
I:	10mm
J dia:	10mmj6
K:	M8
L:	20mm
M dia:	32mmH7
N1:	32mm
N2:	30mm
O:	24mm
Q dia:	33.5mm
S:	62mm
S1:	78mm
T:	35mm
U:	12mm
V:	30mm
Y:	3mm
Z:	13mm
With spindle travel limiter:	
L3:	46mm
With square tube:	
L2:	53mm
Q1 sq:	35mm
Q2:	50mm
Q3:	6mm
Motor adaptor mounting holes:	
4 off K1:	M5
TK pcd:	44mm



**Materials:**

Component	Standard	Optional
Gear housing:	Die cast aluminium 3.2582	Stainless steel V4A; anodised; painted
Worm shaft:	Steel ETG100	Stainless steel V4A, V2A
Spindle:	C35 Steel 1.0501	Stainless steel V4A, V2A
Spindle protection tube:	C37 Steel 1.0122	Stainless steel V4A; zinc plated; painted
Bearing cover:	C45 Steel 1.0503	Stainless steel V4A; zinc plated; painted

V4A = 1.4571      V2A = 1.4305