

SCREW JACK DATA SHEET

MJ2 TRANSLATING SCREW

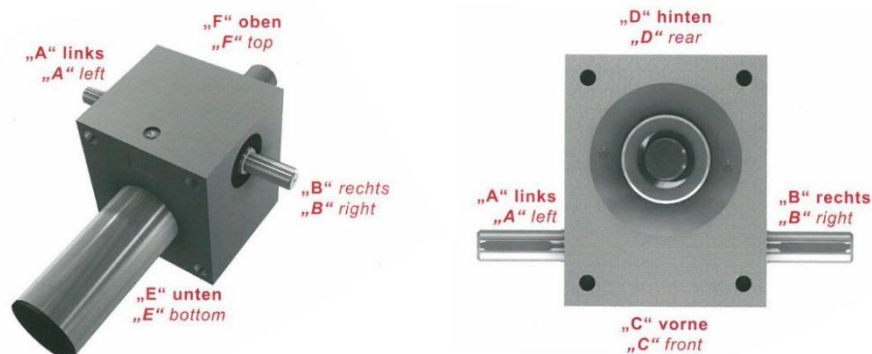
Specifications:

Ratio:	Normal 4:1	Low 16:1
Max lifting force:	10kN	10kN
Spindle:	TR20x4	TR20x4
Max power:	0.5kW	0.5kW
Stroke per input rev:	1mm	0.25mm
Travel speed with 4 pole motor (approx)	25mm/sec	6mm/sec
Total efficiency:	31.1%	24.8%
Idling torque:	0.12Nm	0.09Nm
Drive torque at max lifting force:	7.0Nm	2.5Nm
Max permissible torque at worm shaft:	32.1Nm	32.1Nm
Gear housing material:	Die cast aluminium	Die cast aluminium
Weight (less spindle & tube):	2.1kg	2.1kg
Weight of spindle per 100mm:	0.45kg	0.45kg
Amount of grease filling:	0.1kg	0.1kg
Lubrication:	Divinol Lithogrease 1500	Divinol Lithogrease 1500

Order code:

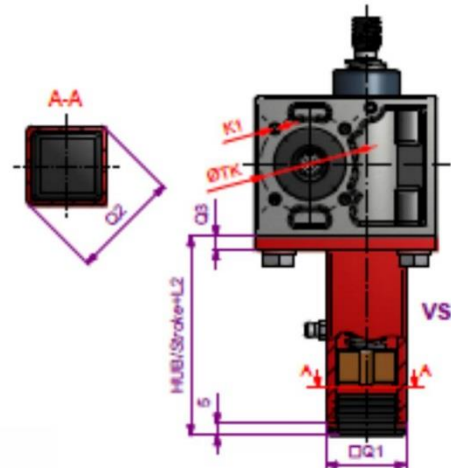
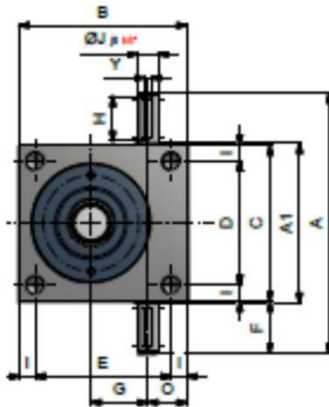
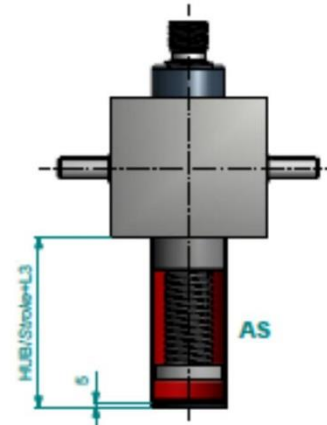
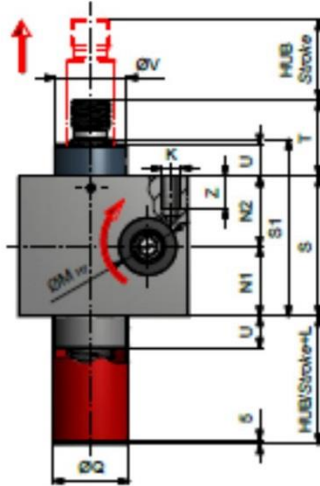
MJ2-	2	3	4	5	6	7	8
------	---	---	---	---	---	---	---

2:	Version:	GN = Normal ratio version GL = Low ratio version
3:	Installation position:	1F, 2F, 3F, 4F, 5F, 6F, 1E, 2E, 3E, 4E, 5E, 6E
4:	Spindle:	TR20x4 = trapezoidal KGT = ball screw (20x5; 20x20; 20x50) +VS = keyed rotation prevention
5:	Stroke:	0000mm
6:	Spindle end:	Z = journal; FP = mounting flange; GE = threaded; GK = male clevis; KGK = rod end bearing; GS = Female clevis
7:	Accessories:	A or B = mounting side of motor; AS = spindle travel limiter; BL = mounting foot; ES = limit switch; FB = folding bellows; HR = hand wheel; KP = trunnion adaptor; MG = motor adaptor; RP = flexible coupling; SF = spiral sleeve; VS = rotation prevention via square tube
8:	Special requirements:	As specified



Dimensions:

A:	140mm
A1:	89mm
B:	100mm
C:	85mm
D:	63mm
E:	78mm
F:	27.5mm
G:	32mm
H:	20mm
I:	11mm
J dia:	14mmj6
K:	M8
L:	30mm
M dia:	35mmH7
N1:	37.5mm
N2:	37.5mm
O:	28mm
Q dia:	42mm
S:	75mm
S1:	101mm
T:	45mm
U:	18mm
V:	39mm
Y:	5mm
Z:	15mm
With spindle travel limiter:	
L3:	56mm
With square tube:	
L2:	64mm
Q1 sq:	45mm
Q2:	64mm
Q3:	6mm
Motor adaptor mounting holes:	
6 off K1:	M6
TK pcd:	50mm



Materials:

Component	Standard	Optional
Gear housing:	Die cast aluminium 3.2582	Stainless steel V4A; anodised; painted
Worm shaft:	Steel ETG100	Stainless steel V4A
Spindle:	C35 Steel 1.0501	Stainless steel V4A, V2A
Spindle protection tube:	C37 Steel 1.0122	Stainless steel V4A; zinc plated; painted
Bearing cover:	C45 Steel 1.0503	Stainless steel V4A; zinc plated; painted

V4A = 1.4571 V2A = 1.4305