

SCREW JACK DATA SHEET

MJ3 TRANSLATING SCREW

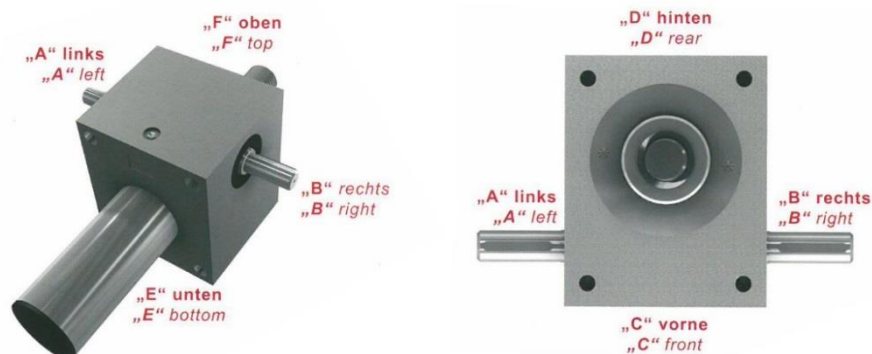
Specifications:

Ratio:	Normal 6:1	Low 24:1
Max lifting force:	25kN	25kN
Spindle:	TR30x6	TR30x6
Max power:	1.1kW	1.1kW
Stroke per input rev:	1mm	0.25mm
Travel speed with 4 pole motor (approx)	25mm/sec	6mm/sec
Total efficiency:	30.5%	21.9%
Idling torque:	0.17Nm	0.13Nm
Drive torque at max lifting force:	16.0Nm	5.3Nm
Max permissible torque at worm shaft:	75.8Nm	75.8Nm
Gear housing material:	Die cast aluminium	Die cast aluminium
Weight (less spindle & tube):	3.5kg	3.5kg
Weight of spindle per 100mm:	0.7kg	0.7kg
Amount of grease filling:	0.2kg	0.2kg
Lubrication:	Divinol Lithogrease 1500	Divinol Lithogrease 1500

Order code:

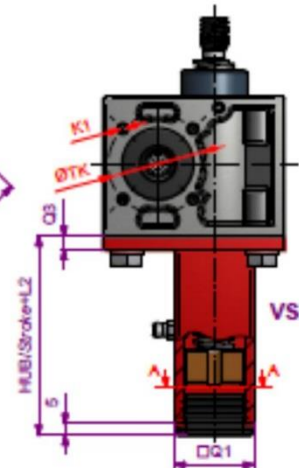
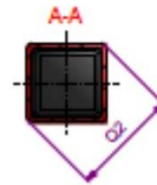
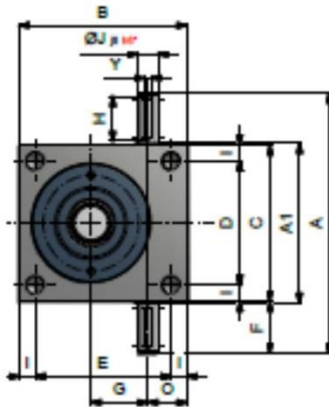
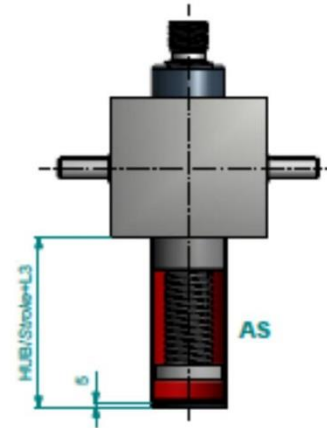
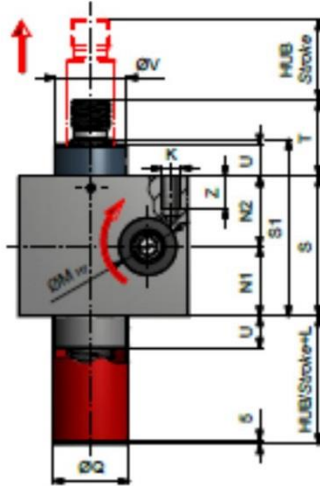
MJ3-	2	3	4	5	6	7	8
------	---	---	---	---	---	---	---

2:	Version:	GN = Normal ratio version GL = Low ratio version
3:	Installation position:	1F, 2F, 3F, 4F, 5F, 6F, 1E, 2E, 3E, 4E, 5E, 6E
4:	Spindle:	TR30x6 = trapezoidal KGT = ball screw (25x5; 25x10; 25x20; 25x25; 25x50; 32x5; 32x10; 32x20; 32x40) +VS = keyed rotation prevention
5:	Stroke:	0000mm
6:	Spindle end:	Z = journal; FP = mounting flange; GE = threaded; GK = male clevis; KGK = rod end bearing; GS = Female clevis
7:	Accessories:	A or B = mounting side of motor; AS = spindle travel limiter; BL = mounting feet; ES = limit switch; FB = folding bellows; HR = hand wheel; KP = trunnion adaptor; MG = motor adaptor; RP = flexible coupling; SF = spiral sleeve; VS = rotation prevention via square tube; SFM = safety nut
8:	Special requirements:	As specified



Dimensions:

A:	195mm
A1:	109mm
B:	130mm
C:	105mm
D:	81mm
E:	106mm
F:	45mm
G:	45mm
H:	36mm
I:	12mm
J dia:	16mmj6
K:	M10
L:	30mm
M dia:	40mmH7
N1:	41mm
N2:	41mm
O:	31mm
Q dia:	50mm
S:	82mm
S1:	110mm
T:	50mm
U:	23mm
V:	46mm
Y:	5mm
Z:	15mm
With spindle travel limiter:	
L3:	64mm
With square tube:	
L2:	73mm
Q1 sq:	50.5mm
Q2:	71mm
Q3:	8mm
Motor adaptor mounting holes:	
6 off K1:	M6
TK pcd:	52mm



Materials:

Component	Standard	Optional
Gear housing:	Die cast aluminium 3.2582	Cast iron GGG-50; Stainless steel V4A; anodised; painted
Worm shaft:	Steel ETG100	Stainless steel V4A
Spindle:	C35 Steel 1.0501	Stainless steel V4A, V2A
Spindle protection tube:	C37 Steel 1.0122	Stainless steel V4A; zinc plated; painted
Bearing cover:	C45 Steel 1.0503	Stainless steel V4A; zinc plated; painted

V4A = 1.4571 V2A = 1.4305