

## SCREW JACK DATA SHEET

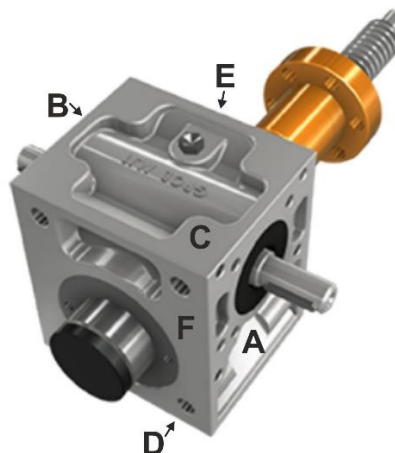
### MJ3 ROTATING SCREW

#### Specifications:

Ratio:	Normal 6:1	Low 24:1
Max lifting force:	25kN	25kN
Spindle:	TR30x6	TR30x6
Max power:	1.1kW	1.1kW
Stroke per input rev:	1mm	0.25mm
Travel speed with 4 pole motor (approx)	25mm/sec	6mm/sec
Total efficiency:	30.5%	21.9%
Idling torque:	0.17Nm	0.13Nm
Drive torque at max lifting force:	16Nm	5.3Nm
Max permissible torque at worm shaft:	75.8Nm	75.8Nm
Gear housing material:	Die Cast Aluminium	Die Cast Aluminium
Weight (less spindle & tube):	3.5kg	3.5kg
Weight of spindle per 100mm:	0.7kg	0.7kg
Amount of grease filling:	0.20kg	0.20kg
Lubrication:	Divinol Lithogrease 1500	Divinol Lithogrease 1500

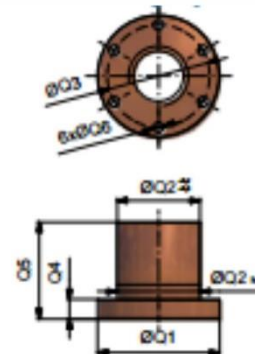
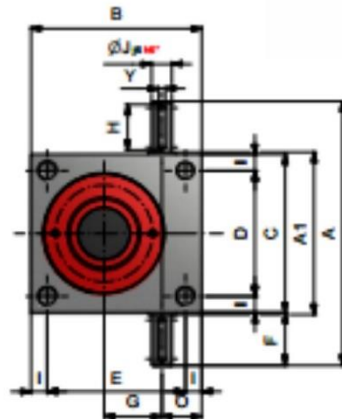
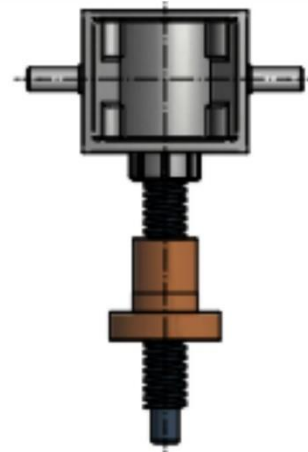
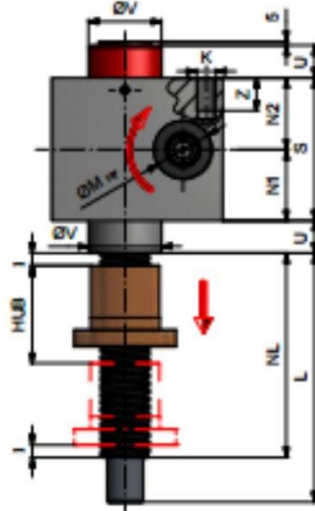
#### Order code:

MJ3-	2	3	4	5	6	7	8	9
2:	Version:	LMN = Normal ratio version LML = Low ratio version						
3:	Installation position:	1F, 2F, 3F, 4F, 5F, 6F, 1E, 2E, 3E, 4E, 5E, 6E						
4:	Spindle:	TR30x6 = trapezoidal KGT = ball screw (25x5; 25x10; 25x20; 25x25; 25x50; 32x5; 32x10; 32x20)						
5:	Stroke:	0000mm						
6:	Travelling nut	EFM = standard; KGF = ball screw nut						
7:	Spindle end:	Z = journal; FPL = mounting flange bearing						
8:	Accessories:	A or B = mounting side of motor; BL = mounting feet; FB = folding bellows (1FB = bellows one side of travelling nut; 2FB = bellows both sides of travelling nut); KP = trunnion adaptor; MG = motor adaptor; RP = flexible coupling; SFM = safety nut; KAN = nut trunnion adaptor; MKD = nut bracket; gimbal mount; SF = spiral sleeve (1SF = sleeve one side of travelling nut; 2SF = sleeve both sides of travelling nut)						
9:	Special requirements:	As specified						



**Dimensions:**

A:	195mm
A1:	109mm
B:	130mm
C:	105mm
D:	81mm
E:	106mm
F:	45mm
G:	45mm
H:	36mm
I:	12mm
J dia:	16mmj6
K:	M10
M dia:	40mmH7
N1:	41mm
N2:	41mm
O:	31mm
S:	82mm
U:	23mm
V dia:	46mm
Y:	5mm
Z:	15mm
J:	20mm
Flanged travelling nut:	
Q1 dia:	62mm
Q2: dia	38mm
Q3 dia:	50mm
Q4:	14mm
Q5:	46mm
Q6 dia:	7mm
Motor adaptor mounting holes:	
4 off K1:	M6
TK pcd:	52mm



**Materials:**

Component	Standard	Optional
Gear housing:	Die cast aluminium 3.2582	Stainless steel V4A; anodised; painted
Worm shaft:	Steel ETG100	Stainless steel V4A, V2A
Spindle:	C35 Steel 1.0501	Stainless steel V4A, V2A
Bearing cover:	C45 Steel 1.0503	Stainless steel V4A; zinc plated; painted

V4A = 1.4571      V2A = 1.4305