

SCREW JACK DATA SHEET

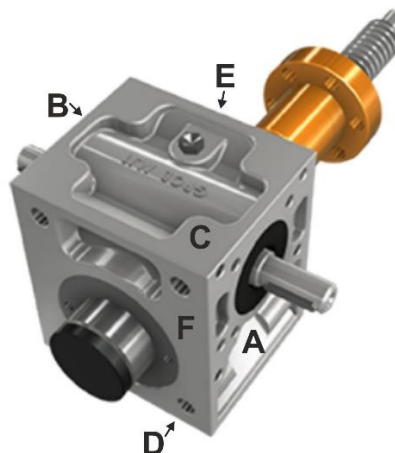
MJ4 ROTATING SCREW

Specifications:

Ratio:	Normal 7:1	Low 28:1
Max lifting force:	50kN	50kN
Spindle:	TR40x7	TR40x7
Max power:	2.2kW	2.2kW
Stroke per input rev:	1mm	0.25mm
Travel speed with 4 pole motor (approx)	25mm/sec	6mm/sec
Total efficiency:	28.2%	21.5%
Idling torque:	0.34Nm	0.26Nm
Drive torque at max lifting force:	34Nm	10.2Nm
Max permissible torque at worm shaft:	110.6Nm	110.6Nm
Gear housing material:	Cast iron	Cast iron
Weight (less spindle & tube):	17kg	17kg
Weight of spindle per 100mm:	1.2kg	1.2kg
Amount of grease filling:	0.48kg	0.48kg
Lubrication:	Divinol Lithogrease 1500	Divinol Lithogrease 1500

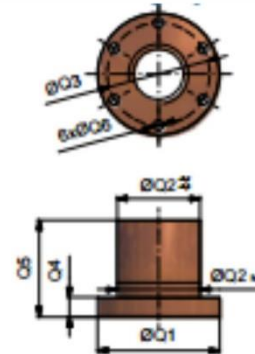
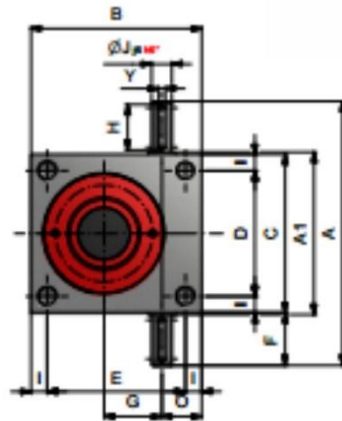
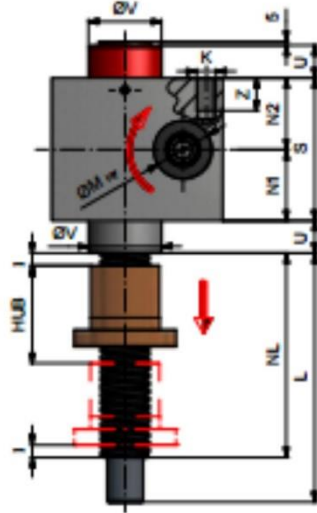
Order code:

MJ4-	2	3	4	5	6	7	8	9
2:	Version:	LMN = Normal ratio version LML = Low ratio version						
3:	Installation position:	1F, 2F, 3F, 4F, 5F, 6F, 1E, 2E, 3E, 4E, 5E, 6E						
4:	Spindle:	TR40x7 = trapezoidal KGT = ball screw (40x5; 40x10; 40x20; 40x40)						
5:	Stroke:	0000mm						
6:	Travelling nut	EFM = standard; KGF = ball screw nut						
7:	Spindle end:	Z = journal; FPL = mounting flange bearing						
8:	Accessories:	A or B = mounting side of motor; BL = mounting feet; FB = folding bellows (1FB = bellows one side of travelling nut; 2FB = bellows both sides of travelling nut); KP = trunnion adaptor; MG = motor adaptor; RP = flexible coupling; SFM = safety nut; KAN = nut trunnion adaptor; MKD = nut bracket; gimbal mount; SF = spiral sleeve (1SF = sleeve one side of travelling nut; 2SF = sleeve both sides of travelling nut)						
9:	Special requirements:	As specified						



Dimensions:

A:	240mm
A1:	150mm
B:	180mm
C:	145mm
D:	115mm
E:	150mm
F:	47.5mm
G:	63mm
H:	36mm
I:	15mm
J dia:	20mmj6
K:	M12
M dia:	52mmH7
N1:	59mm
N2:	58mm
O:	39mm
S:	117mm
U:	32mm
V dia:	60mm
Y:	6mm
Z:	16mm
J:	25mm
Flanged travelling nut:	
Q1 dia:	95mm
Q2: dia	63mm
Q3 dia:	78mm
Q4:	16mm
Q5:	73mm
Q6 dia:	9mm
Motor adaptor mounting holes:	As required



Materials:

Component	Standard	Optional
Gear housing:	Cast iron GGG-50	Stainless steel V4A; zinc plated; painted
Worm shaft:	Steel ETG100	Stainless steel V4A, V2A
Spindle:	C35 Steel 1.0501	Stainless steel V4A, V2A
Bearing cover:	C45 Steel 1.0503	Stainless steel V4A; zinc plated; painted

V4A = 1.4571 V2A = 1.4305