

SCREW JACK DATA SHEET

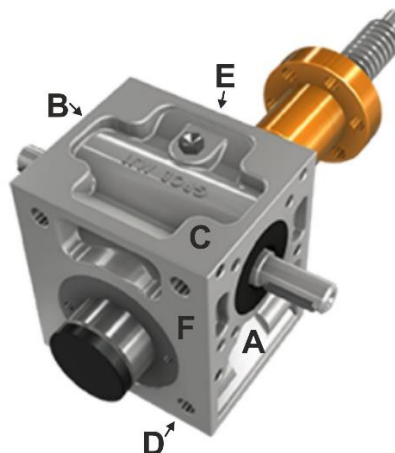
MJ5 ROTATING SCREW

Specifications:

Ratio:	Normal 9:1	Low 36:1
Max lifting force:	100kN	100kN
Spindle:	TR55x9	TR55x9
Max power:	4.5kW	4.5kW
Stroke per input rev:	1mm	0.25mm
Travel speed with 4 pole motor (approx)	25mm/sec	6mm/sec
Total efficiency:	23.4%	17.9%
Idling torque:	0.82Nm	0.50Nm
Drive torque at max lifting force:	69Nm	30Nm
Max permissible torque at worm shaft:	240Nm	240Nm
Gear housing material:	Cast iron	Cast iron
Weight (less spindle & tube):	32kg	32kg
Weight of spindle per 100mm:	2.0kg	2.0kg
Amount of grease filling:	0.90kg	0.90kg
Lubrication:	Divinol Lithogrease 1500	Divinol Lithogrease 1500

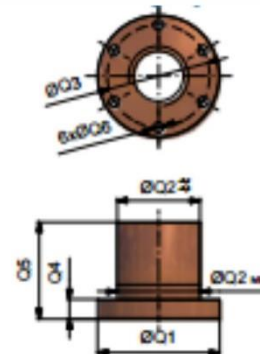
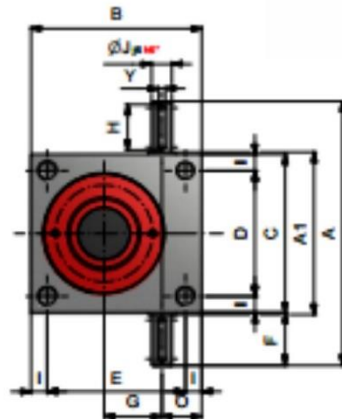
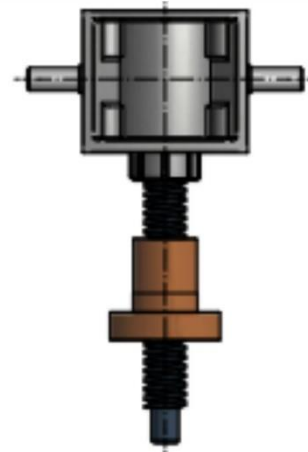
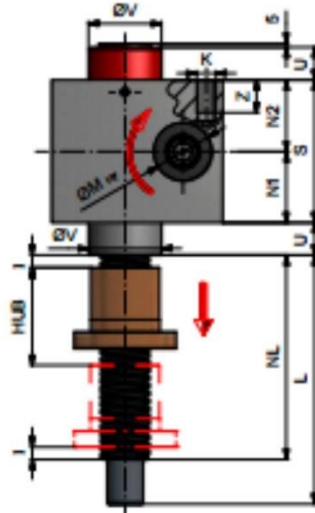
Order code:

MJ5-	2	3	4	5	6	7	8	9
2:	Version:	LMN = Normal ratio version LML = Low ratio version						
3:	Installation position:	1F, 2F, 3F, 4F, 5F, 6F, 1E, 2E, 3E, 4E, 5E, 6E						
4:	Spindle:	TR55x9 = trapezoidal KGT = ball screw (50x10; 50x20)						
5:	Stroke:	0000mm						
6:	Travelling nut	EFM = standard; KGF = ball screw nut						
7:	Spindle end:	Z = journal; FPL = mounting flange bearing						
8:	Accessories:	A or B = mounting side of motor; BL = mounting feet; FB = folding bellows (1FB = bellows one side of travelling nut; 2FB = bellows both sides of travelling nut); KP = trunnion adaptor; MG = motor adaptor; RP = flexible coupling; SFM = safety nut; KAN = nut trunnion adaptor; MKD = nut bracket; gimbal mount						
9:	Special requirements:	As specified						



Dimensions:

A:	300mm
A1:	170mm
B:	200mm
C:	165mm
D:	131mm
E:	166mm
F:	67.5mm
G:	71mm
H:	56mm
I:	17mm
J dia:	25mmj6
K:	M20
M dia:	62mmH7
N1:	79mm
N2:	81mm
O:	46mm
S:	160mm
U:	40mm
V dia:	85mm
Y:	8mm
Z:	30mm
J:	25mm
Flanged travelling nut:	
Q1 dia:	110mm
Q2: dia	72mm
Q3 dia:	90mm
Q4:	18mm
Q5:	97mm
Q6 dia:	11mm
Motor adaptor mounting holes:	As required



Materials:

Component	Standard	Optional
Gear housing:	Cast iron GGG-50	Stainless steel V4A; zinc plated; painted
Worm shaft:	Steel 42CrMo4	Stainless steel V4A, V2A
Spindle:	C45 Steel 1.0503	Stainless steel V4A, V2A
Bearing cover:	C45 Steel 1.0503	Stainless steel V4A; zinc plated; painted

V4A = 1.4571 V2A = 1.4305