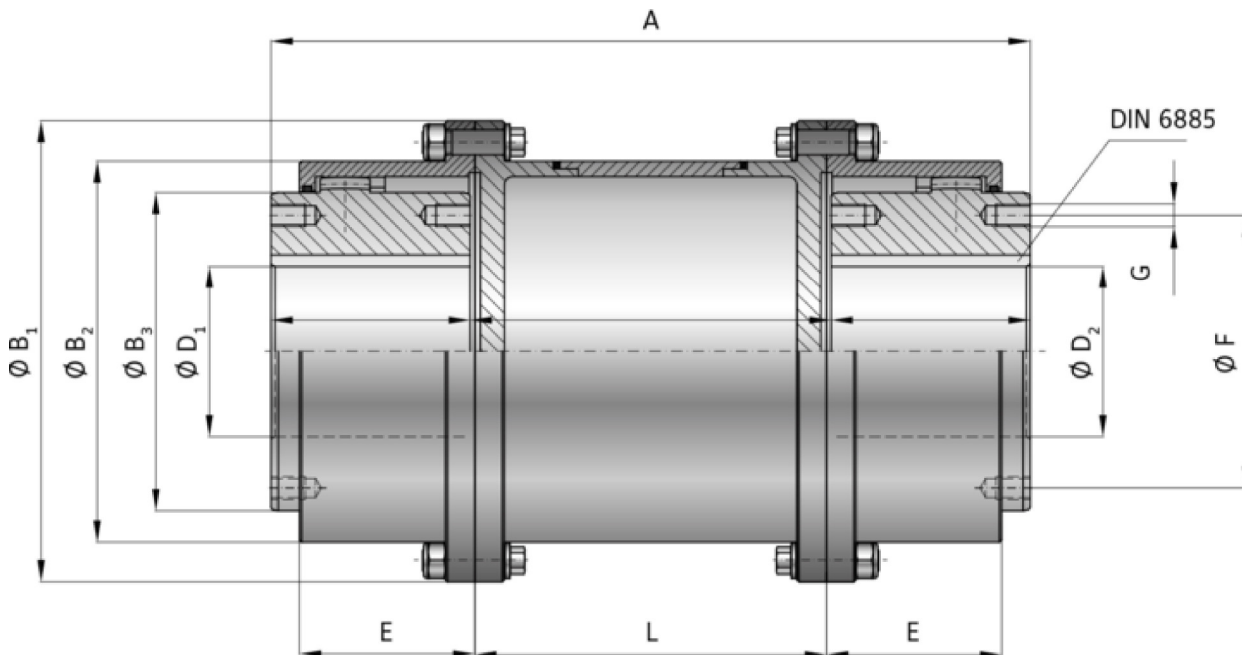


BZA WITH KEYWAY MOUNTING



SPECIFICATIONS BZA

BZA SERIES	10	25	50	100	150	200	300	450	600	800	1500	2000	3000	4000	5000	7
Rated torque (kNm) T_{KN}	1.9	2.9	5.7	9	14.5	22	34	45	70	85	150	200	290	402	518	7
Max. torque (kNm) T_{Kmax}	4.2	6.8	14	21.5	35	54	83	110	170	205	360	480	580	804	1036	1
Overall length (mm) A	89	103	127	157	185	216	246	278	308	358	388	450	532	592	652	7
Flange outside diameter (mm) B_1	111	142	168	200	225	265	300	330	370	406	438	505	590	639	702	7
Flange hub outside diameter (mm) B_2	82.5	104.6	130.5	158.4	183.4	211.5	245.5	275.5	307	335	367	432	503	553	597	7
Shaft hub outside diameter (mm) B_3	68	86	105	132	151	179	209.5	234	255	280	306	356	415	464	490	7
Shaft fit length (mm) C	43	50	62	76	90	105	120	135	150	175	190	220	260	290	320	7
Max bore diameter H7 with 1/2 keyways (mm) $D_{1/2}$	48/52	62/62	72/78	90/98	105/112	122/132	144/156	160/174	175/190	192/210	210/233	245/280	-	-	-	7
Bore diameters from ø to ø H7 with interference fit (mm) $D_{1/2}$	12-52	18-62	30-78	32-98	42-112	45-132	50-156	60-174	70-190	90-210	110-233	120-280	-	-	-	7
Bore diameters from ø to ø H7 with keyways (mm) $D^{1/2}$	-	-	-	-	-	-	-	-	-	-	-	-	160-325	180-370	200-400	20
Bore diameters from ø to ø H7 with interference fit (mm) $D^{1/2}$	-	-	-	-	-	-	-	-	-	-	-	-	160-325	180-370	200-400	20
Distance between shaft ends (mm) DBSE	3	3	3	5	5	6	8	8	8	8	8	10	12	12	12	7
Hub length (mm) E	39	46	59	92.5	92.5	108	123	139	139	179	194	225	221	245.5	262	7
Hole circle diameter (mm) F	61	73	91	132	132	154	180	204	204	240	268	316	350	400	430	7
Thread size Bolt G	M5	M6	M8	M10	M10	M12	M16	M20	M20	M20	M24	M24	M24	M24	M30	7
Tightening torque (nm) H	M8	M10	M10	M12	M12	M16	M16	M18	M18	M22	M22	M24	M24	M24	M30	7
Tightening torque (nm) H	18	36	36	65	65	150	150	150	150	400	400	520	670	670	1250	7
Axial misalignment (mm) S	1.5	1.5	1.5	2.5	2.5	3	4	4	4	4	4	5	6	6	6	7
	2x0.35	2x0.35	2x0.35	2x0.35	2x0.35	2x0.35	2x0.35	2x0.35	2x0.35	2x0.35	2x0.35	2x0.35	2x0.35	2x0.35	2x0.35	2x0.35
CAD Portal	10	25	50	100	150	200	300	450	600	800	1500	2000	3000	4000	5000	7

BZA SERIES	10	25	50	100	150	200	300	450	600	800	1500	2000	3000	4000	5000	7000
Angular misalignment (Degree)																
CAD Portal	10	25	50	100	150	200	300	450	600	800	1500	2000	3000	4000	5000	7000
2D/3D Data																

ORDERING EXAMPLE BZA

ORDERING EXAMPLE	BZA	50	1200	60	50	XX
Model	•					Special designation only (e.g. special bore tolerance).
Size		•				
Overall length mm			•			
Bore Ø D1 H7				•		
Bore Ø D2 H7					•	
For custom features place an XX at the end of the part number and describe the special requirements (e.g. BZ1 / 50 / 1200 / 60 / 50 / XX)						

PROPERTIES

MATERIAL

- Coupling from high strength steel

DESIGN

- Hub with keyway connection or cylindrical bore for shink disc. Optional set screw for keyway DIN 916. Customer specified intermediate length also available.

SIZING AND SELECTION

For more Information, please click [here](#).